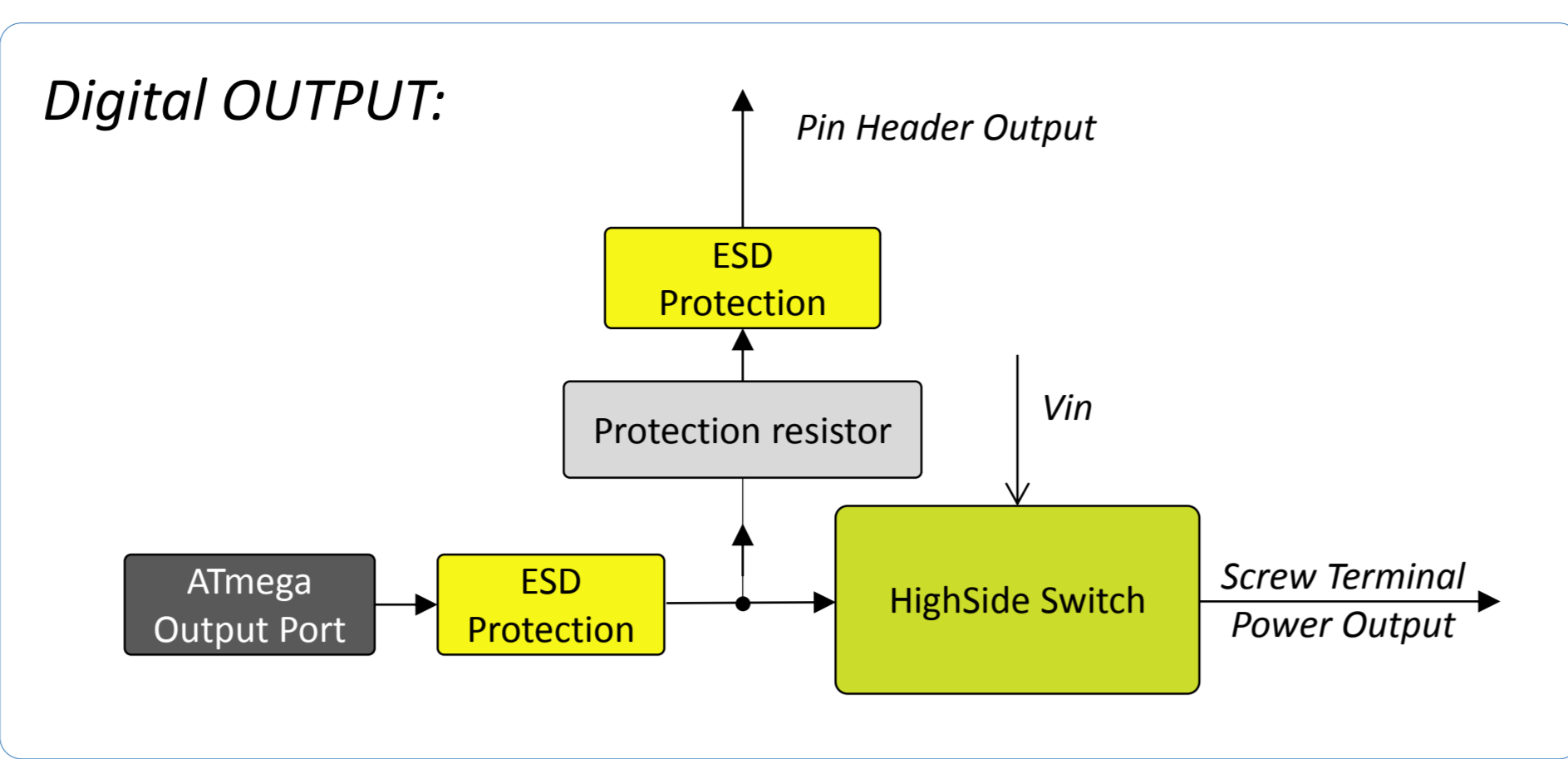
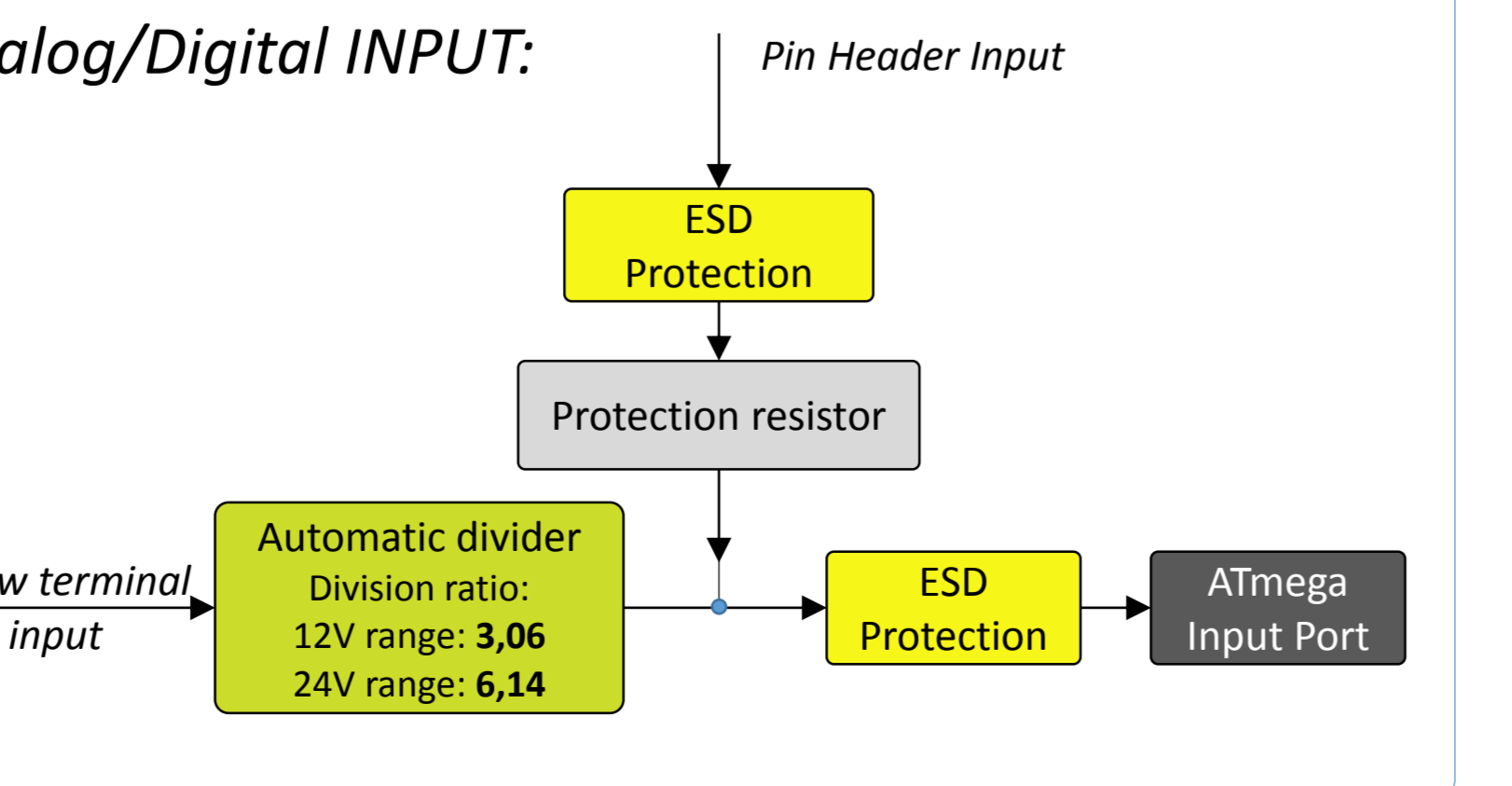
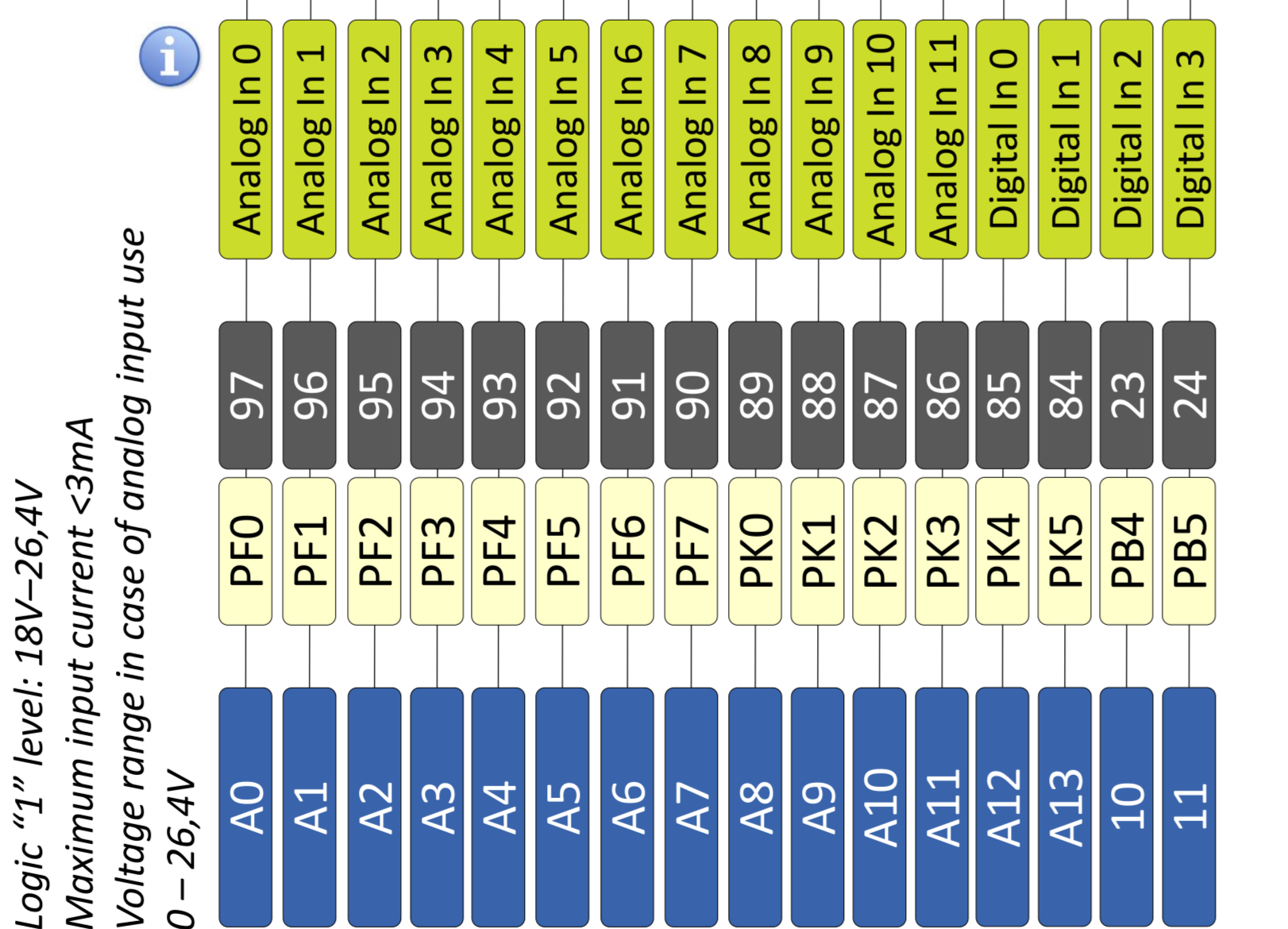
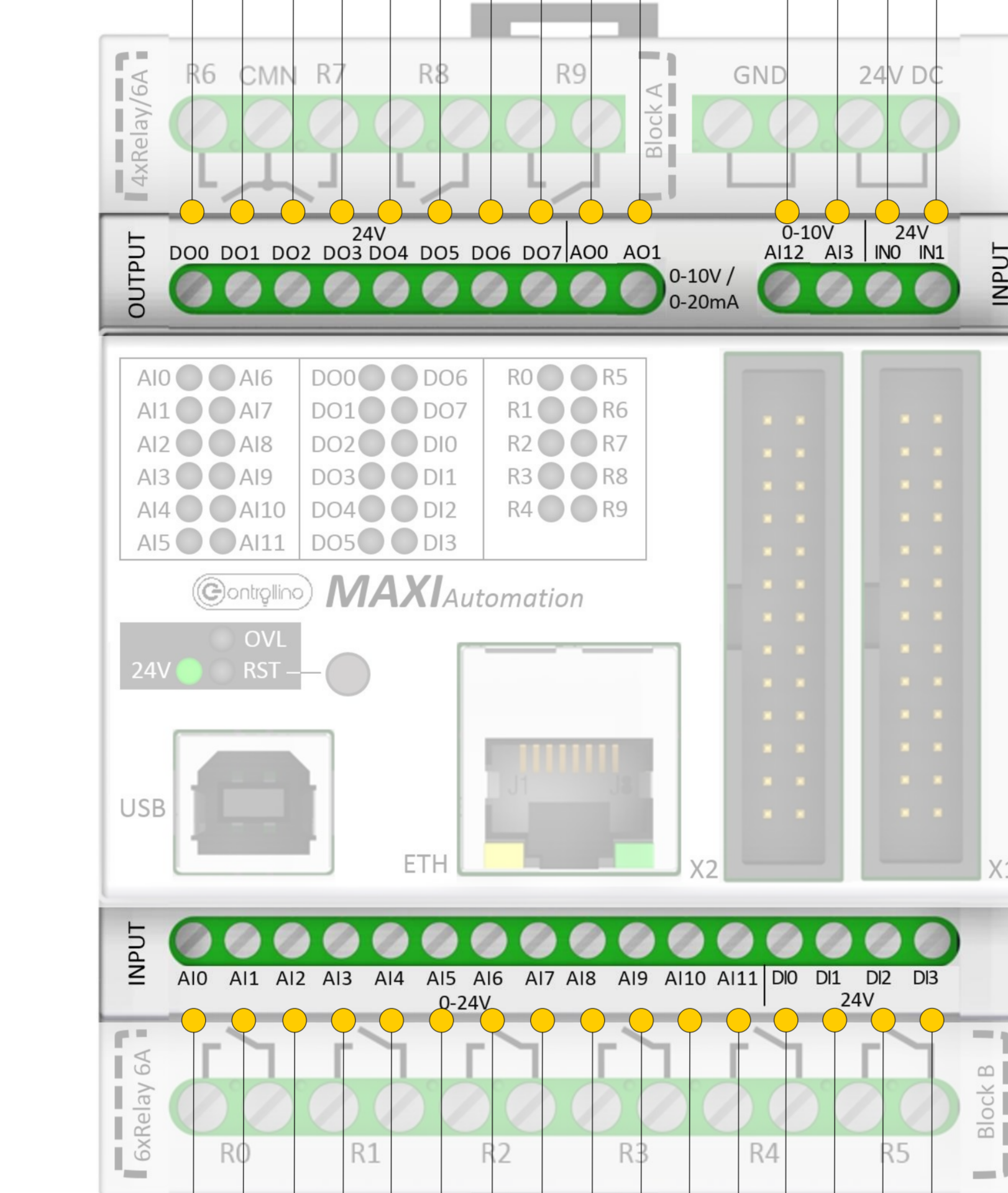
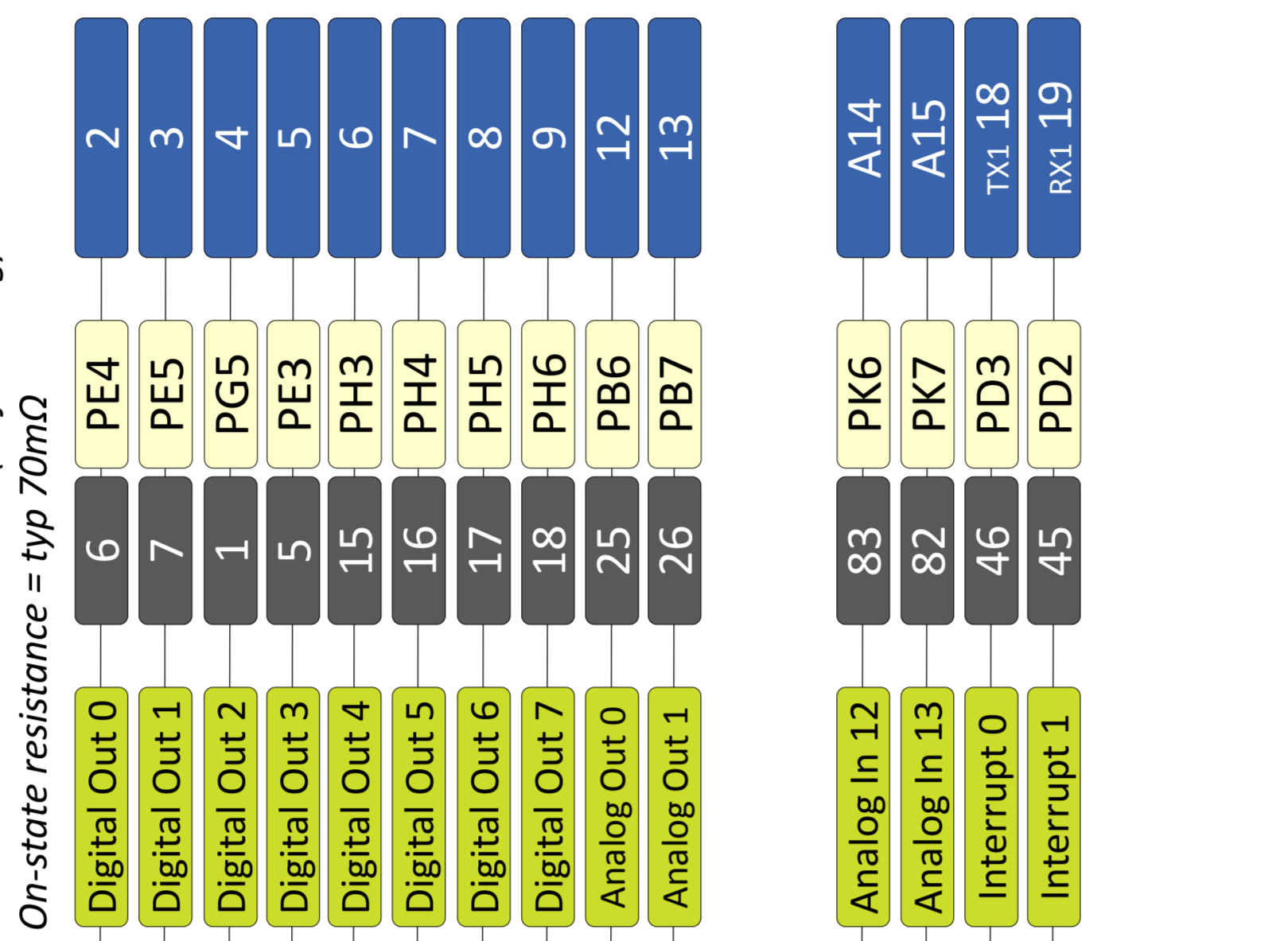
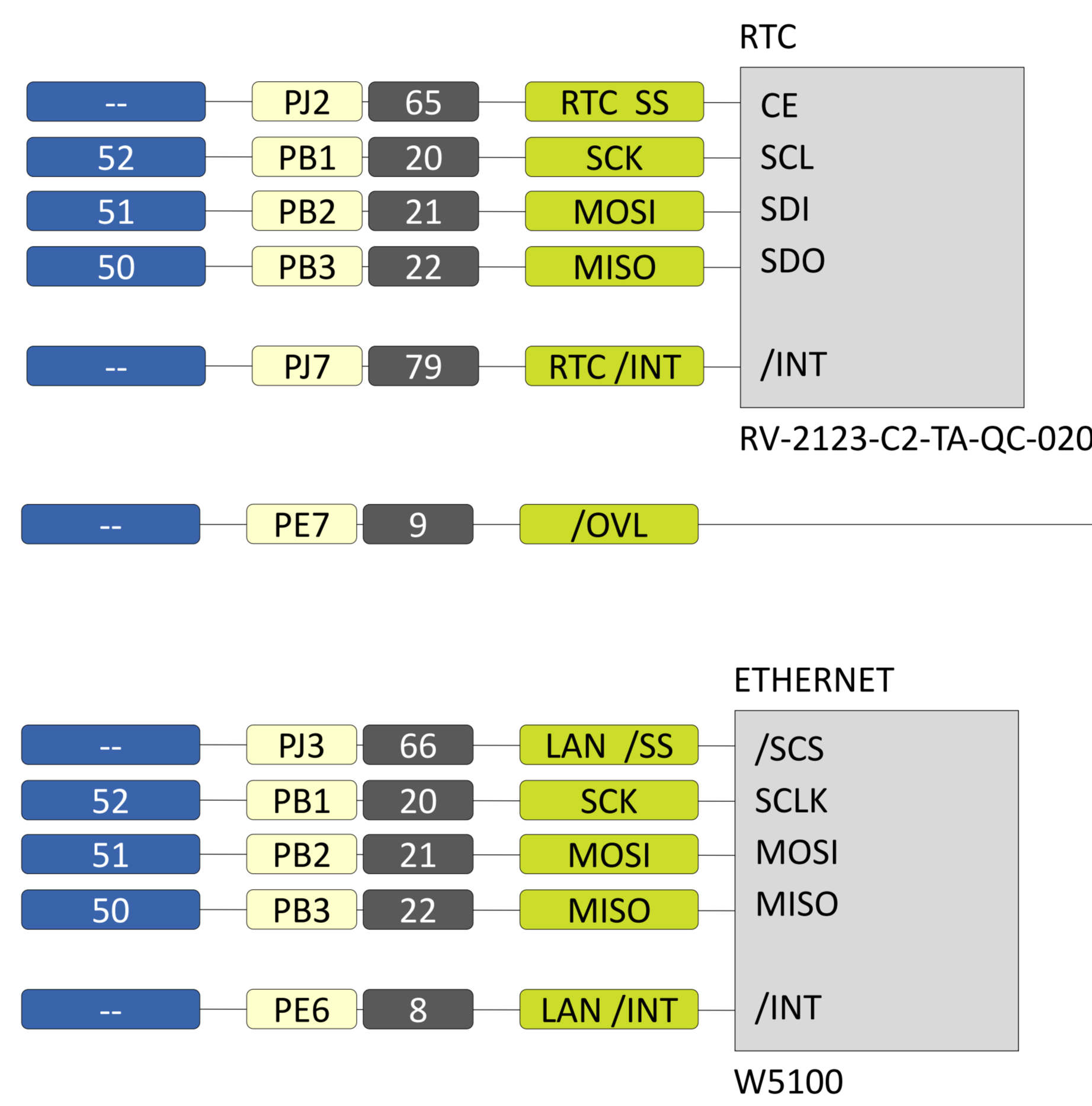


**12 x HIGH CURRENT High Side Switch**  
Nominal load current = 2A (self limiting)  
On-state resistance = typ 70mΩ



# MAXI Automation PINOUT V1.1

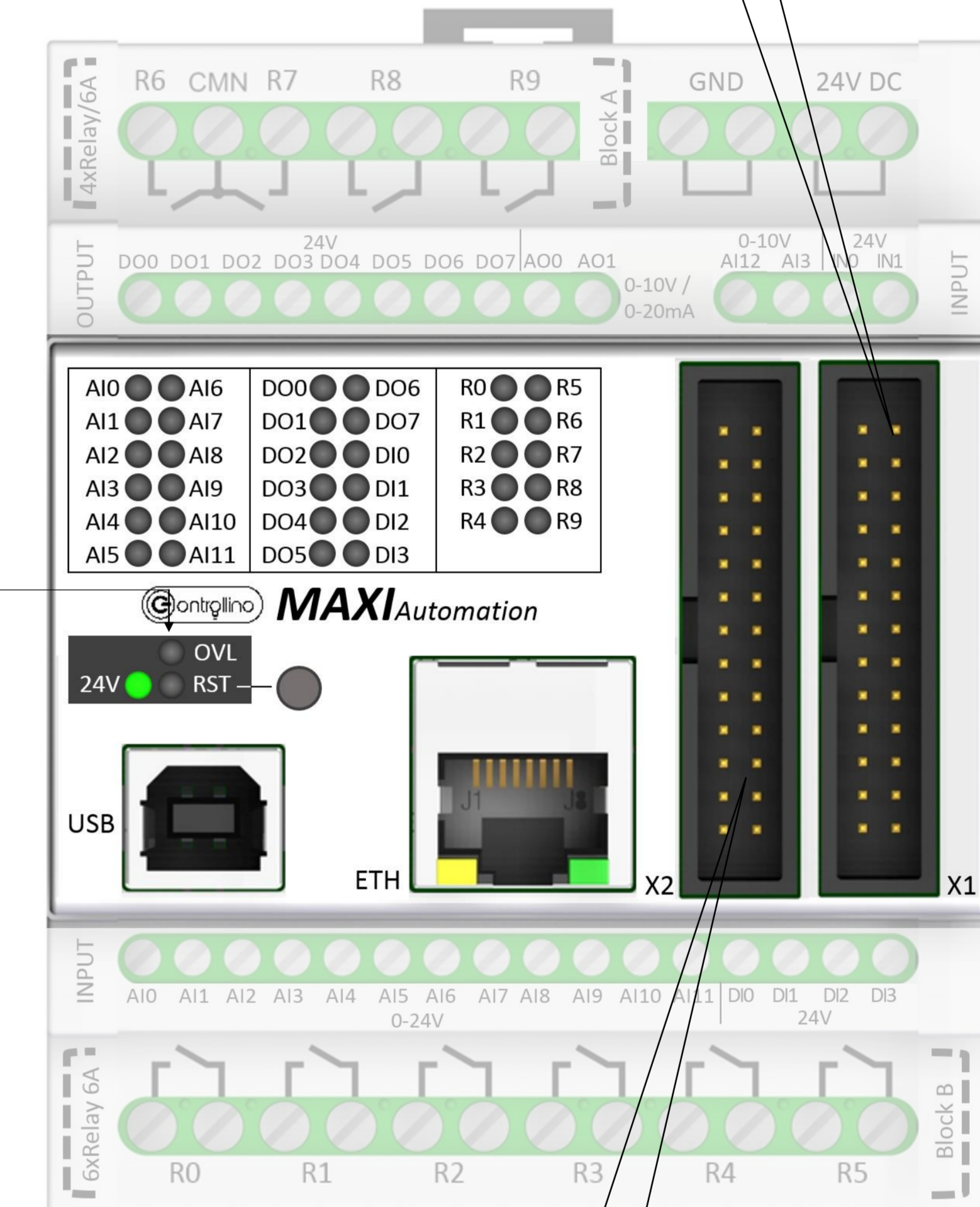
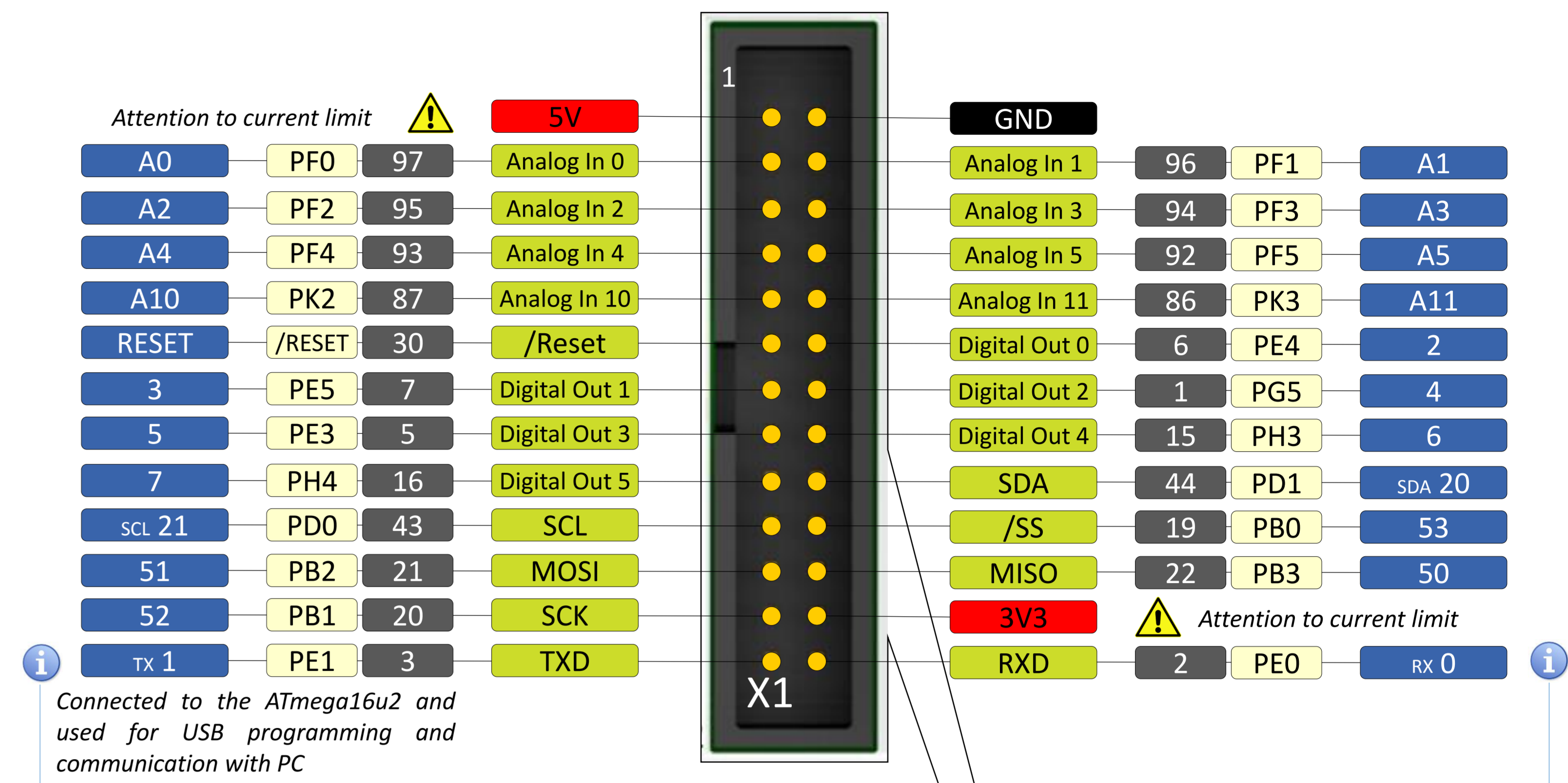


**Legend:**

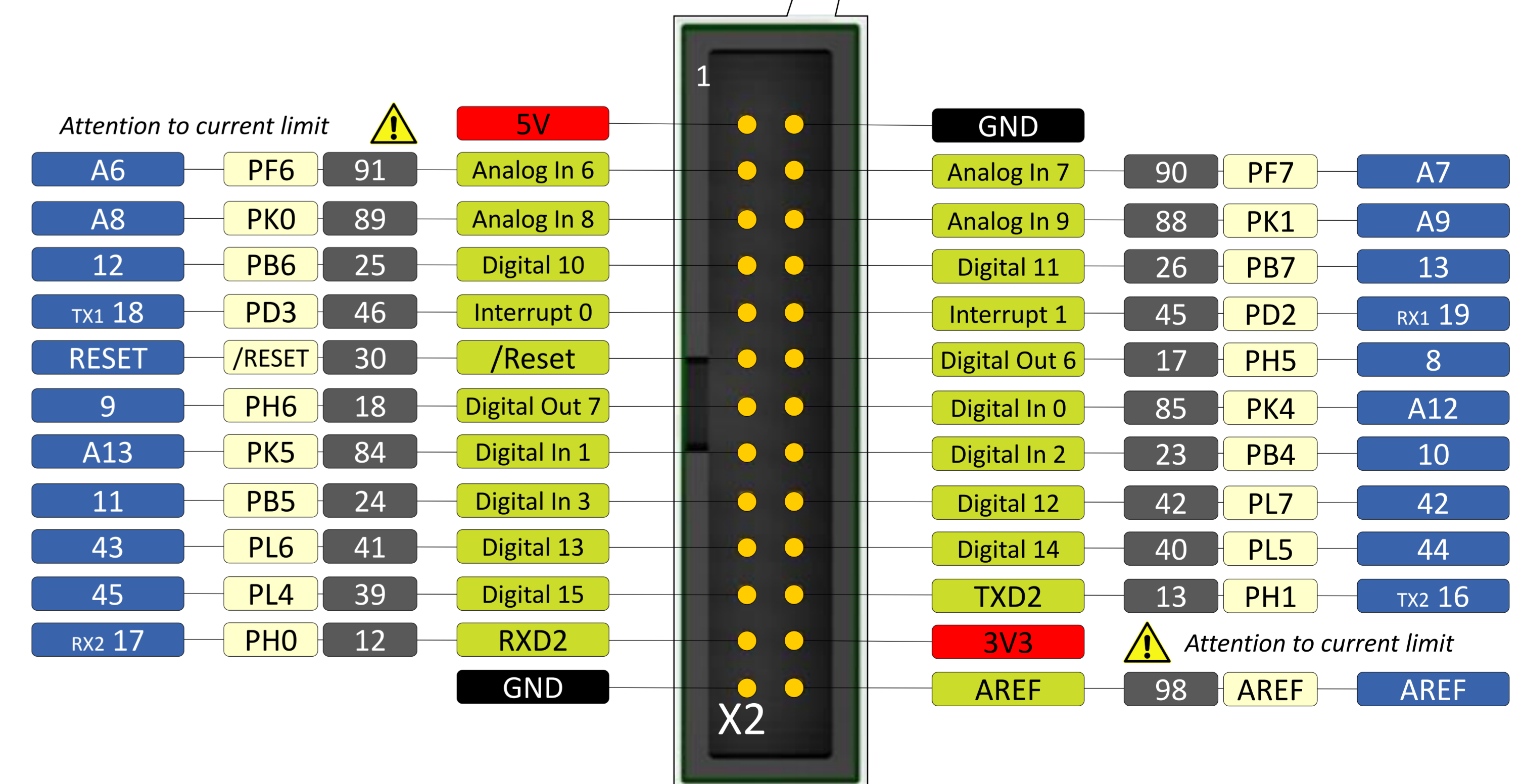
- GND
- POWER
- CONTROLLINO Function
- PHYSICAL PIN
- PORT PIN
- ARDUINO Mega Board

General Information  
Pay attention  
CHIP used ATmega 2560-16AU

**Not 100% pin compatible to X1 @MINI,MAXI,MEGA**



**Pin Header current limit:**  
Absolute max per pin 40mA recommended 20mA  
Absolute max 200mA for entire Pin Header  
Current limit @5V + 3V3 max 200mA (Fused by resettable fuse)  
Current limit @3V3 only 150mA  
All signals are protected with serial resistance



**Not 100% pin compatible to X2 @MAXI,MEGA**